

Advanced Environmental Instrumentation

Harnessing the Power of Mobile Computing



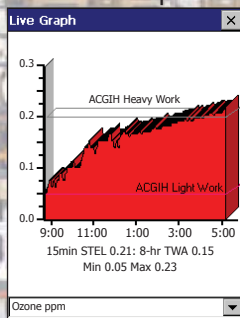
✓ Surveyed

✓ Documented

✓ Reported



Live Graph



Example Screens

Live Display

File	Log	Probe	View
TVOC		498	µg/m3
Carbon Dioxide		848	ppm
Carbon Monoxide		3.8	ppm
Ozone		0.49	ppm
Hydrogen Sulfide		0.30	ppm
Chlorine		0.08	ppm
Particulate		1.49	µg/m3
Barometric		760	mmHg
Formaldehyde		18	ppb

<< Back Next >> Auto Scroll

Live: Mfg floor

Select Data-log mode

Attach Notes On-Site



WOLFPACK®

Modular Area Monitor

The WolfPack's embedded computer runs GrayWolf's WolfSense® application software for displaying, documenting, and logging key parameters. The WolfPack is an Area Monitor for Indoor Air Quality, Toxic Gas and other environmental air monitoring applications.

- Modular system: probes may be interchanged with AdvancedSense® meters or mobile PCs for walk-thrus/spot-checks
- Plug in up to 3 GrayWolf DirectSense® probes (up to six sensors per probe)
- Additionally, interface a particulate meter and/or a formaldehyde meter (displays and logs into the same data file)
- Choice of PID for VOCs, NDIR CO₂, %RH, °C/°F and from 20 specific electrochemical gas sensors; CO, O₃, NO₂, NO, SO₂, NH₃, H₂S, Cl₂, HCl, EtO, HCN, H₂, HF, AsH₃, or others
- Optional auto-zeroing differential pressure and/or barometric pressure
- Monitor up to 30 parameters simultaneously
- On-board productivity tools: video help, parameter details, sensor info, text & audio notes and much more...
- Powerful WolfSense PC desktop data transfer and reporting software included
- Optional WolfSense Advanced Report Generator software for automated professional reports



GRAYWOLF®
SENSING SOLUTIONS
 PH. 1-203-402-0477
 FAX: 1-203-402-0478

EMAIL:
 SALESTEAM@GRAYWOLFSENSING.COM

WEBSITE:
 WWW.GRAYWOLFSENSING.COM



WOLFPACK[®]

Modular Area Monitor

SPECIFICATIONS:

(for additional sensor/probe specifications please refer to GrayWolf's DirectSense[®] brochures)

Dimensions:

Without handle: 9.84in. (25cm) w. x 10in. (25.5cm) h. x 5.1in. (13cm) d.
 With handle: 11in. (28cm) w. x 16in. (40.9cm) h. x 5.1in. (13cm) d.
 Overall Height with probe(s) fitted: 18.1in. (46cm)
 Weight (without probes): 11lb. 5 oz. (5kg)
 Probe Weight (without probe handle): ~8 oz.
 PCC-16 Hardshell Case: 19.7in. (50cm) w. x 24.6in. (62.5cm) h. x 11.7in. (30.0cm) d.

Power:

Battery: Lead Acid (rechargeable)
 Battery Life: (new bat. powering PID, NDIR & multi EC sensors) 18 hours typical with backlight off, fan on
 27.5 hours typical with backlight off, fan off
 Recharge time (100/250VAC, 50-60Hz internal charger): 5 hours

Connectors:

3 x Lemo 8 pin for GrayWolf probes
 1 x Lemo 7 pin for optional USB key download cable, HCHO meter or camera
 1 x Lemo 6 pin for particulate, 3rd party meters
 1 x mini USB socket - 1m USB B to USB A download cable supplied as standard
 1 x IEC 320 universal socket for power. 1.5m cable with local plug supplied

Miscellaneous:

Operating Range: -10°C to 50°C (15°F to 122°F), 0 to 98% RH (non-condensing)
 Screen Size: 3.5in. QVGA 240x320 TFT color touch screen
 Memory: 4GB for data-logging (1million+ readings) and notes (photo/video/audio); plus 2GB for program, help videos, documents and auto data backup
 Adjustable handle - adjust to any angle from 180° to 30°
 Locking clamps fitted to enable unit to be secured
 Wall-mountable if required
 GrayWolf Software is 21 CFR Part 11 Compliant
All specifications are subject to change without further notice

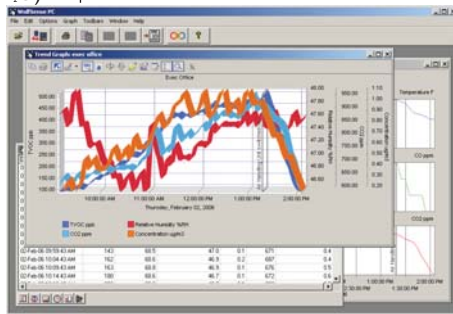
Optional Built-in Sensors:

	Differential Pressure (DP-702LH)	Barometric Pressure (BP-101) [*]
Range	+/-10,000Pa, +/-40 inH ₂ O, +/-1000 mmH ₂ O, +/-100 mbar, +/-70 mmHg	600 to 825 mmHg, 800 to 1100mBar, 23.50 to 32.50 inHg, 0.80 to 1.10atm.
Resolution	0.1 Pa, 0.001 inH ₂ O, 0.01 mmH ₂ O, 0.001 mbar, 0.001 mmHg	0.1mmHg, 0.1mBar, 0.01 inHg, 0.01atm +/-0.1% rdg
Accuracy (auto-zeroing enabled)	+/-1% of rdg +/-0.2Pa up to 250Pa, +/- 1%rdg +/-4Pa >250Pa (+/-1% of rdg +/-0.001 inH ₂ O to 1.000 inH ₂ O, +/-1%rdg +/-0.015 inH ₂ O >1.000 inH ₂ O)	

Differential Pressure is auto-zeroing (every 2 minutes by default but zeroing frequency is user adjustable)

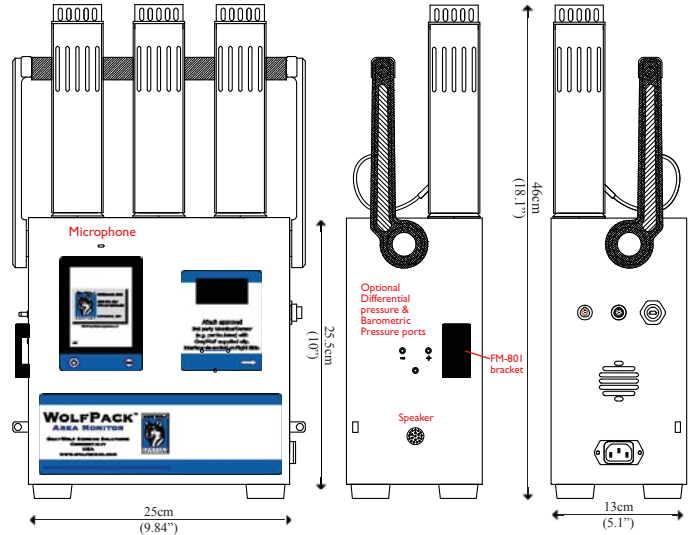
*The barometric pressure sensor will, when installed, compensate mass concentration readings (µg/m³) for pressure changes.

WolfSense PC data transfer and analysis software supplied as standard



MEASURE SMART

REPORT EFFICIENTLY



▲ WolfPack shown with PC-3016A 6-channel Particle Counter and FM-801 Formaldehyde meter interfaced



▲ PCC-16 Hardshell Carrying Case with handle, wheels and storage for WolfPack, probes, mobile PC and accessories. Dimensions: 62.5cm x 50.0cm x 30.0cm (24.6" x 19.7" x 11.7")

Probes can interchange with AdvancedSense meters and mobile PCs



WolfPack shown with PM-205 Particulate Monitor (Thermo pDR-1500)



Calibration kits, Advanced Reporting Software, mobile PCs and other accessories are available from GrayWolf. View them online at accessories.graywolvesensing.com



GRAYWOLF SENSING SOLUTIONS
 6 RESEARCH DRIVE
 SHELTON, CT 06484 USA
 PH. (1)203-402-0477
 800-218-7997
 FAX: (1)203-402-0478

EMAIL: SALESTEAM@GRAYWOLFSENSING.COM

WWW.GRAYWOLFSENSING.COM

GRAYWOLF SENSING SOLUTIONS
 TUAMGRANEY INDUSTRIAL ESTATE,
 UNIT 8
 TUAMGRANEY, CO CLARE, IRELAND
 PH. (353)61921736
 FAX: (353)61921528