

Advanced Environmental Instrumentation

Harnessing the Power of Mobile Computing



Surveyed

Documented

Reported



Example AdvancedSense, WolfPack Screens*

Live Graph

Realtime

File	Log	Probe	View
TVOC			2251 ppb
Ozone			0.03 ppm
Ammonia			1.9 ppm
Hydrogen Sulfide			0.38 ppm
Temperature			22.8 °C
Relative Humidity			22.0 %RH
Toluene			1133 ppb
Nitrogen Dioxide			0.05 ppm
Sulfur Dioxide			1.04 ppm

VOC Compound Details

WolfSense

Toluene

Chemical Formula: C7H8
 Alternate name(s): Methylbenzene, Phenylmethane
 Calibration Correction Factor: 0.53
 OSHA PEL: 200ppm

Common Source(s): IAQ; (very common) Nail polish, paints, paint thinners, lacquers, adhesives, rubber cement, inks, fabric dyes, cosmetics, auto exhaust, gasoline, kerosene, heating oil, cigarette smoke. Industrial: rubber mfg, leather tanning, printing processes

probe calibration history

attached field (template) note

attached photo note

attached text note

ADVANCEDSENSE® TVOC

DIRECTSENSE®

Multi-Gas PID Meters

AdvancedSense Pro Environmental Test Meter

AdvancedSense BE Environmental Test Meter

*Probes also connect to Windows Tablets, Laptops, PCs

GrayWolf is transforming how to Measure, Data-Log and Report on worker and general environmental exposure levels. The AdvancedSense TVOC is a powerful data collection tool, packed with on-board application information and advanced documentation features; highly intuitive and Easy-To-Use.

- VOCs, %RH, °F/°C plus up to 5 specific gas sensors per probe (all "plug-and-play" in DSII probes)
- Choice of PID sensors optimized for ppb or ppm VOC concentrations
- On-board list of 250+ compounds detected by the PID sensor
- On-screen info about common VOCs including typical indoor air sources, worker exposure limits and much more...
- Response factors for common compounds; display/log corrected VOC values
- Productivity tools: audio notes, text notes, data file linked photos and more...
- WolfSense® PC desktop data transfer & analysis software included
- Optional GrayWolfLive™ WiFi access to data & notes, with e-mail/text alerts when alarm conditions are exceeded

GRAYWOLF®
 SENSING SOLUTIONS
 Ph. 1-203-402-0477
 Fax: 1-203-402-0478

Email:
 Salesteam@GrayWolfSensing.com

Website:
 www.GrayWolfSensing.com





ADVANCEDSENSE[®] DIRECTSENSE[®] TVOC

Multi-Gas PID Meters

DSII-3, DSII-5, DSII-8, TG-503, VOC-103 VOC Probes

SPECIFICATIONS:

VOCs (SEN-B-VOC-PPMH PID sensor, 10.6eV lamp) Range: 0.1 to 10,000ppm

10.6 eV PIDs do not respond to VOCs with ionization potentials >10.6, such as methane (which at ~2ppm background is typically preferable *not* to measure), ethane or formaldehyde. However, they do respond to the vast majority of VOCs. Standard calibration is to Isobutylene. Users may calibrate to alternative VOCs.

VOCs (SEN-B-VOC-PPB PID sensor, 10.6eV lamp) Range: 5 to 20,000ppb

User selectable units: ppb, ppm, µg/m3, mg/m3. Alternative ranges are available.

Carbon Dioxide (DSII, TG-503) Range 0 to 50,000ppm, 0 to 5%

Accuracy ±3% reading ±150ppm (alt 0-10,000ppm range; Acc ±3% reading ±50ppm)

Relative Humidity: Range: 0.0 to 100.0 %RH

Accuracy: ±2%RH <80%RH (±3%RH>80%RH)

Temperature: Range: 5.0° to 160.0°F (-15° to +70°C)

Accuracy: ±0.3°C

Response Time: VOC, %RH, CO2 and °F/°C sensor

All exhibit 90% response <1 minute

Probe Dimensions (DSII): 83mm (3.3in.)w. x 295mm (11.6in.)h. x 55mm (2.2in)d

Probe Weight (DSII): 460gr (1lb) + ~10g/sensor

Probe Dimensions (TG-503, VOC-103): 50mm (2 in)d. x 30cm (12.5 in)l

Probe Weight (TG-503, VOC-103): 700g (1lb 10oz.)

Probe Power (DSII): Lithium ion rechargeable, 35 hours typical battery life

Probe Power (VOC-103): 2 x D cells; typical battery life 120+ hrs (60+ hrs for TG-503)

Alternatively, power the sensors continuously from the meter/mobile PC

Operating Range: 0 to 90 %RH (non-condensing), -15°C to 60°C

Specific gas sensors may have a reduced operating range

PC Software Requirements: Windows 8/7/10

SPECIFICATIONS ARE SUBJECT TO CHANGE WITHOUT FURTHER NOTICE

- Specify low (ppb), mid or high (ppm) range PID sensor. °C/°F, %RH sensors included. Add up to 3 more sensors per TG-503, up to 2 smart sensors for DSII-5 and up to 5 more smart sensors for DSII-8 (additional sensors n/a for VOC-103). Choose from:

O₃ NH₃ Cl₂ EtO HCl O₂ CO
SO₂ NO NO₂ HCN AsH₃ H₂S
F₂ ClO₂ COCl₂ SiH₄ PH₃ HF

Note 1: Specialty mid-range VOC (200ppm, 2000ppm, 6000ppm) PID sensors are available
Note 2: An NDIR CO₂ sensor may also be added to the TG-503, DSII-5 or DSII-8 probes
Note 3: A CO/H₂S combo sensor is also available (both gases from a single sensor)

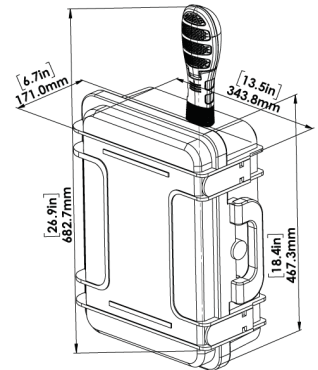
- Order AS/DS/WP TVOC kits with an AdvancedSense, WIN 10 tablet, or WolfPack **included**. Or order with software and connectors to operate with your own WIN 7/8/10 computer.
- Advanced Report Generator software for automated, detailed reports, tripod kits, USB keys/cables for data download, and other accessories are available from GrayWolf. Find out more at www.graywolvesensing.com/accessories/.

Measure Smart

PCC-20A Hard-shell Security/Carry Case



Report Efficiently



Connect probes to AdvancedSense meters, WolfPacks or to WIN7/8/10 tablets, laptops or PCs via cable, or Bluetooth wireless (as shown)

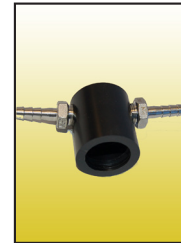
WIN10 tablet platforms are available from GrayWolf with security case foam cuts, pouches, etc.



Optional WolfPack Modular Area Monitor (for DSI probes)

CA-HD4-A1 Calibration cap for all A series sensors in DSII probes. Supplied with 2m tubing.

CA-HD2 DSI Cal Head may alternatively be used with air pump to draw sample across sensors



ACC-FIL6 Probe Filters for dirty environments

CA-GS25 PID/VOC Calibration Kit (zero & isobutylene). Specify CA-HD2 or CA-HD4-A1.



Specific cal reference gases available for most sensors



**GRAYWOLF[®]
SENSING SOLUTIONS**
6 Research Drive (Worldwide Headquarters)
Shelton, CT 06484 USA
Ph. (1) 203-402-0477
800-218-7997

Email: Salesteam@GrayWolfSensing.com

www.GrayWolfSensing.com

**GRAYWOLF[®]
SENSING SOLUTIONS**
Annacotty Industrial Park, Unit 1C
Annacotty, County Limerick
V94 PR2Y Ireland
Ph. (353) 61358044